

..... For Outdoor Use

Installation & Parts Guide

Models: OR-2401

This manual was updated in January 2018
For the latest product information visit the website

..... Owner's Manual

www.solegourmet.com

TABLE OF CONTENTS

Appliance Safety	3
Important Safeguards	3
Parts Listing	5
Product Dimensions	6
Installation Instructions	7
Before Using Your Appliance	7
Installation of Your Appliance	7
Electrical Connection	8
Installing the Stainless Steel Handle	8
Extension Cord	9
Operating Your Appliance	9
Control Panel	9
Power Button.....	9
Lamp Button.....	9
Key Lock Feature	9
Temperature Display	9
Temperature Controls.....	9
Door Lock.....	9
Shelves	10
Care and Maintenance	10
Cleaning Your Appliance.....	10
Power Failure	10
Vacation Time.....	10
Moving Your Appliance.....	11
Energy Saving Tips	11
Troubleshooting	12

APPLIANCE SAFETY

Your safety and the safety of others are very important. We have provided many important safety messages in this manual and on your appliance. Always read and obey all safety messages.

SAFETY ALERT SYMBOL

This is the Safety Alert Symbol. The symbol alerts you to potential hazards that can kill or injure you and others. All safety messages will follow the Safety Alert Symbol and either the words “DANGER” or “WARNING”.

DANGER

Danger means that failure to heed this safety statement may result in severe personal injury or death.

WARNING

Warning means that failure to heed this safety statement may result in extensive product, serious injury, or death.

All safety messages will alert you about the potential hazard, tell you how to reduce your chance of injury, and let you know what can happen if the instructions are not followed.

IMPORTANT SAFEGUARDS

Before the appliance is used, it must be properly positioned and installed as described in this manual, so read the manual carefully. To reduce the risk of fire, electrical shock injury when using the appliance, follow basic precautions, including the following:

DANGER

- RISK OF FIRE OR EXPLOSION. FLAMMABLE REFRIGERANT USED. TO BE REPAIRED ONLY BY TRAINED SERVICE PERSONNEL. DO NOT PUNCTURE REFRIGERANT TUBING.
- THIS UNIT CONTAINS R600A (ISOBUTENE) WHICH IS A FLAMMABLE HYDROCARBON. IT IS SAFE FOR REGULAR USE. DO NOT USE SHARP OBJECTS TO EXPEDITE DEFROSTING. DO NOT SERVICE WITHOUT CONSULTING THE “R600A SPECIFICATIONS” SECTION INCLUDED IN THE USER GUIDE. DO NOT DAMAGE THE REFRIGERANT CIRCUIT.
- Plug into a grounded 3 prong outlet, do not remove grounding prong, do not use an adapter, and do not use an extension cord.
- Replace all panels before opening.
- Never clean appliance parts with flammable fluids. These fumes can create a fire hazard or explosion. And do not store or use gasoline or other flammable vapors and liquids in the vicinity of this or any other appliance. The fumes can create a fire hazard or explosion.
- Do not splash or spray water from a hose on the refrigerator. Doing so may cause an electrical shock, which may result in severe injury or death.
- Before proceeding with cleaning and maintenance operations, make sure the power line of unit is disconnected.
- Do not connect or disconnect the electric plug when your hands are wet.
- Unplug the appliance or disconnect power before cleaning or servicing. Failure to do so can result in electric’s shock or death.

WARNING

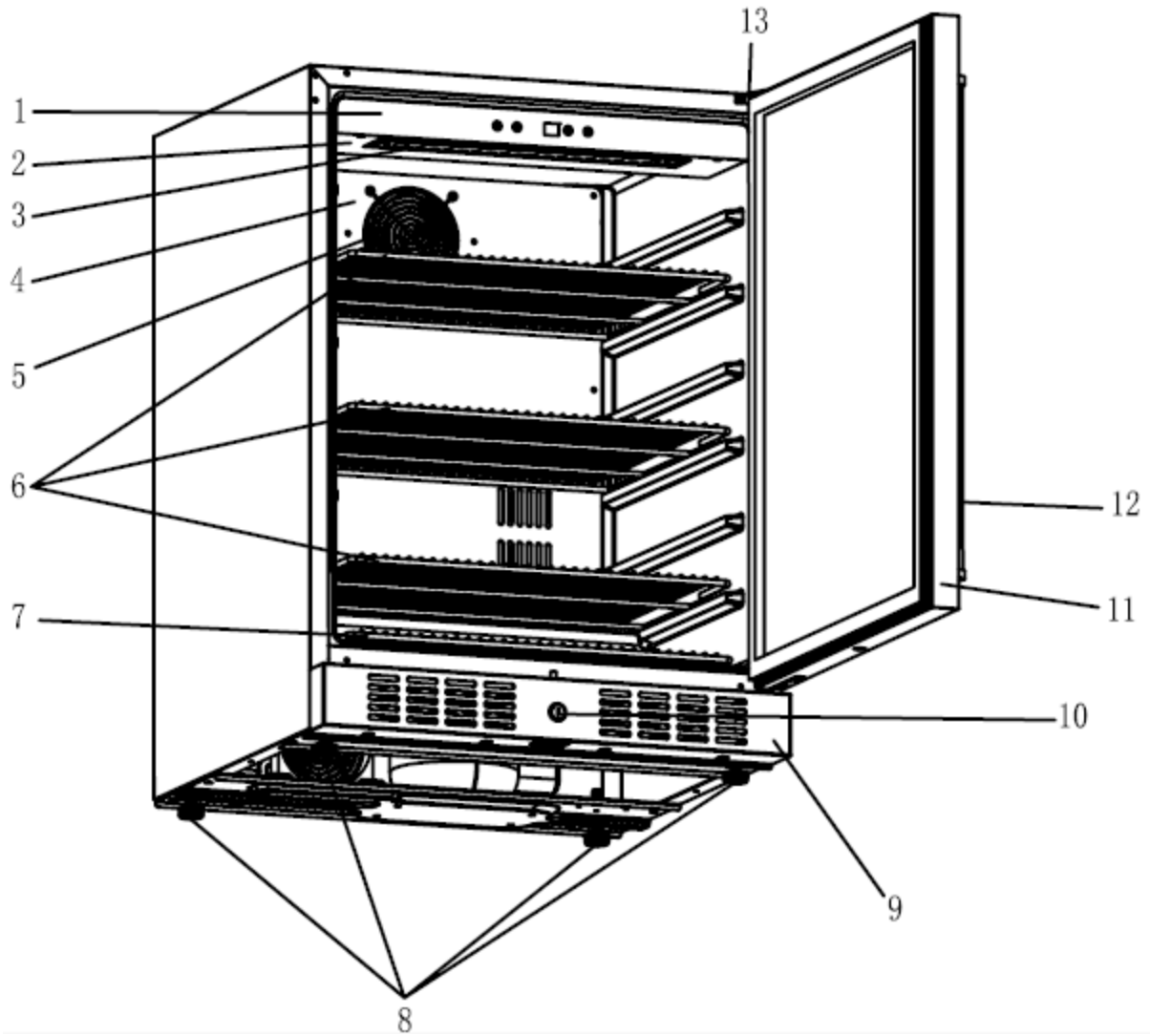
- Service must be done by factory authorized service personnel. Any parts shall be replaced with like components. Failure to comply could increase the risk of possible ignition due to incorrect parts or improper service.
- Use two or more people to move and install appliance. Failure to do so can result in injury.
- To ensure proper ventilation for your appliance, the front of the unit must be completely unobstructed. Choose a well-ventilated area with temperature above 44°F (7°C) and below 106°F (41°C).
- The appliance should not be located next to ovens, grills or other sources of high heat.
- Do not kink or pinch the power supply cord of the appliance.
- All installation must be in accordance with local plumbing codes and requirements.
- Do not use solvent-based cleaning agents or abrasives on the interior. These cleaners may damage or discolor the interior.
- Use this appliance only for its intended purpose as described in this Owner's Manual.
- Keep fingers out of the “pinch point” areas such as clearances around doors and between doors and the cabinet. Be careful closing doors when children are in the area.

DANGER

Risk of child entrapment!

- Never allow children to operate, play with or crawl inside the appliance.
- Child entrapment and suffocation are not problems of the past. Junked or abandoned appliances are still dangerous, even if they will “just sit in the garage a few days”.
- Before discarding your old refrigerator:
 - Unhinge and remove the doors from the cabinet.
 - Leave the interior shelves in place so that children may not easily climb inside.
- **SAVE THESE INSTRUCTIONS**

PARTS LISTING

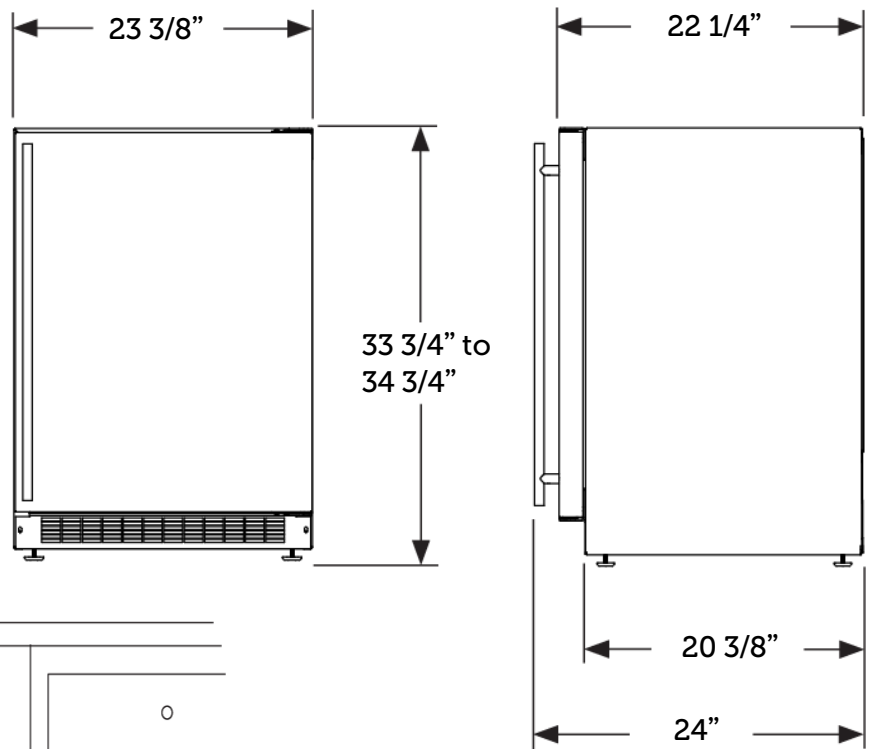
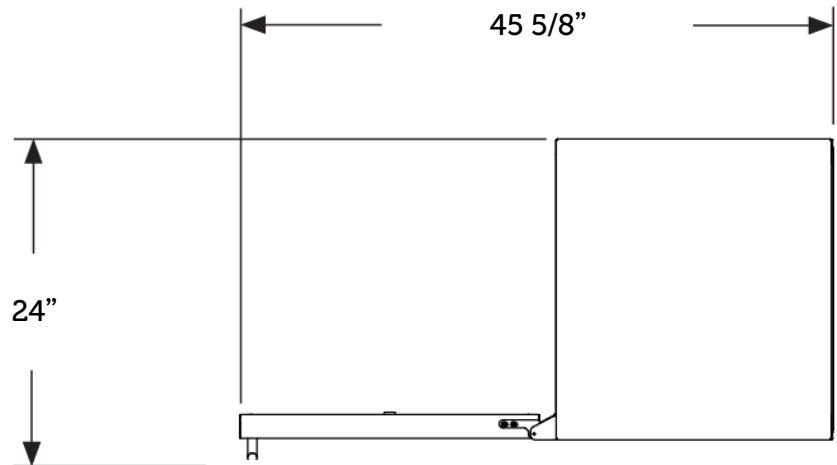


#	Description	Quantity	#	Description	Quantity
1.	Control Panel Sticker.....	1	8.	Leveling Leg.....	4
2.	Temperature Control Box.....	1	9.	Venting Grid.....	1
3.	Lighting.....	1	10.	Lock.....	1
4.	Air Deflector.....	1	11.	Door.....	1
5.	Cooling Fan.....	1	12.	Door Handle.....	1
6.	Upper Shelf.....	3	13.	Top Hinge.....	1
7.	Lower Shelf.....	1			

PRODUCT DIMENSIONS

Dimensions provided for planning purposes only. Slight variances in size may occur naturally as part of the manufacturing process.

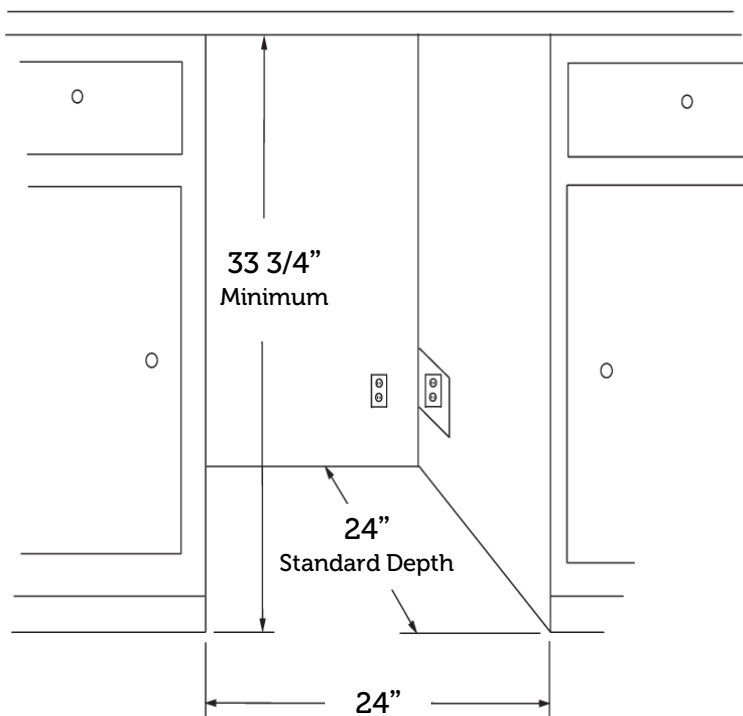
All product specifications are subject to change without notice.



ROUGH-IN DIMENSIONS

Height & depth dimensions may vary depending on installation conditions and materials.

Minimum height shown before leveling with adjustable legs fully retracted.



⚠ DANGER ⚠

Always install in adherence to local ordinances and guidelines.

UNPACKING INSTRUCTIONS

BEFORE CONNECTING YOUR APPLIANCE TO A POWER SOURCE

- Remove all exterior and interior packing.
- Let it stand upright for approximately 2 hours. This will reduce the possibility of a malfunction in the cooling system from handling during transportation.
- Clean the interior surface with lukewarm water using a soft cloth.
- Install the handle on the door. (See page 10)

INSTALLATION OF YOUR APPLIANCE

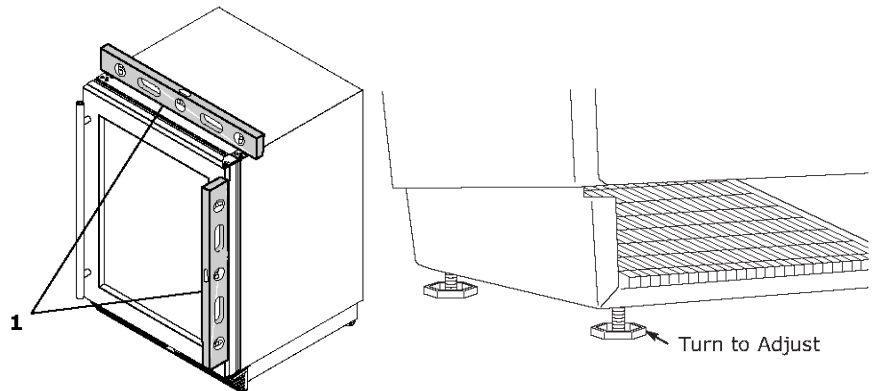
It is recommended you install the appliance in a place where the ambient temperature is between 44-106°F (7-41°C). If the ambient temperature is above or below the recommended temperature, the performance of the unit may be affected. For example, placing your unit in extreme cold or hot conditions may cause interior temperature to fluctuate. The range of 34-43°F (1-6°C) may not be reached. The appliance is designed for built-in or recessed or free standing installation for indoor or outdoor use.

CAUTION: This appliance is not designed for the storage of medicine or other medical products.

Place your appliance on a floor that is strong enough to support it when it is fully loaded. To level the unit, adjust the front leveling legs. It is important that the appliance be leveled in order to work properly. You may need to make several adjustments to level it.

LEVELING INFORMATION

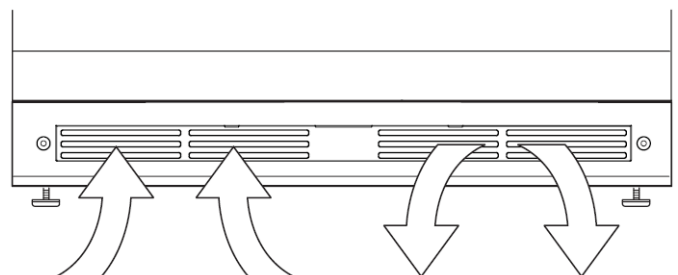
1. Use a level to confirm the unit is level. Level should be placed along top edge and side edge as shown.
2. If the unit is not level, adjust the legs on the corners of the unit as necessary.



For free standing, 5 inches (127mm) of space between the back and sides of the unit are suggested, which allows for proper air circulation to cool the compressor and condenser. Even built-in installations require a minimum of 1/4" (6.35mm) space on each side and at the top. **TAKE CARE THAT THE AIR VENT AT THE FRONT OF THE APPLIANCE IS NEVER COVERED OR BLOCKED IN ANY WAY.**

AIRFLOW & PRODUCT LOADING

The unit requires proper airflow to perform at its highest efficiency. Do not block the front grille, or the unit will not perform as expected. Do not install the unit behind a door. When loading your unit, leave space between the evaporator and refrigerator contents. Anything in direct contact with the evaporator is subject to freezing.



NOTE: It is recommended that you do not install the appliance near an oven, radiator or other heating source. Direct sunlight may affect the acrylic costing and heat sources may increase electrical consumption. Don't install in a location where the temperature will fall below 44°F (7°C). For best performance, do not install the appliance behind a cabinet door or block the base grille.

AVOID LOCATING THE UNIT IN MOIST AREAS.

ELECTRICAL CONNECTION

This appliance should be properly grounded for your safety. The power cord of this appliance is equipped with a three-prong plug which mates with standard three-prong wall outlets to minimize the possibility of electrical shock.

Do not under any circumstances cut or remove the third (ground) prong from the power cord supplied. For personal safety, this appliance must be properly grounded.

This appliance requires a standard 115/120 Volt AC~60Hz with a 15 Amp Dedicated Circuit and three-prong grounded electrical outlet. Have the wall outlet and circuit checked by a qualified electrician to make sure the outlet is properly grounded. When a standard 2-prong wall outlet is encountered, it is your responsibility and obligation to have it replaced with a properly grounded.

Ground fault circuit interrupters (GFCI) are prone to nuisance tripping which will cause the unit to shut down. GFCI's are generally not used on circuits which power equipment that must run unattended for long periods of time, unless required to meet local building codes and ordinances.

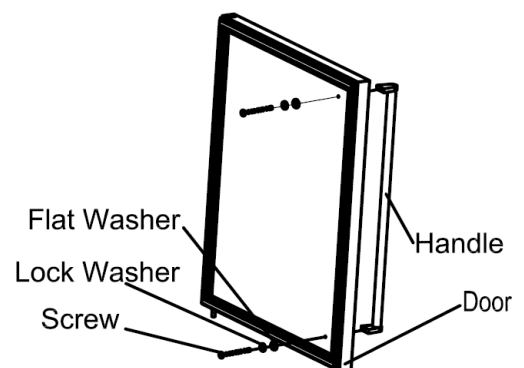
To prevent accidental injury, the cord should be secured behind the appliance and not left exposed or dangling.

The appliance should always be plugged into its own individual electrical outlet which a voltage rating that matches the rating label on the appliance. This provides the best performance and also prevents overloading house wiring circuits that could cause a fire hazard from overheating. Never unplug the appliance by pulling on the power cord. Always grip the plug firmly and pull straight out from the receptacle. Repair or replace immediately all power cords that have become frayed or otherwise damaged. Do not use a cord that shows cracks or abrasion damaged along its length or at either end. When moving the appliance, be careful not to damage the power cord.

INSTALLING THE HANDLE

This appliance includes an optional stainless steel handle. To install the handle, follow these instructions:

1. Use a screwdriver to remove the screws on the door where the handle is to be installed.
2. Align the handle with the screws removed in step 1. Tighten the screws using a Phillips head screwdriver until the handle is both flush and secured tightly against the door side. (DO NOT over-tighten as this will cause damage to the stainless steel door surface.)




EXTENSION CORD

Because of potential safety hazards under certain conditions, it is strongly recommended that you do not use an extension cord with this appliance. However, if you must use an extension cord it is absolutely necessary that it be a UL/CUL-Listed, 3-wire grounding type appliance extension cord having a grounding type plug and outlet and that the electrical rating of the cord be 115 Volts and at least 15 amperes.


OPERATING YOUR APPLIANCE


CONTROL PANEL

 **Power Button** - To turn the appliance ON or OFF, press and hold the POWER button for 5 seconds.

 **Lamp Button** - To turn the interior light ON or OFF, press the LAMP button.

Key lock Feature - If no key is touched for 2 minutes, the controls will be locked automatically. To release the lock, press and hold the UP and DOWN symbols simultaneously for 5 seconds.

 **Temperature Display** - To choose between Fahrenheit and Celsius for the temperature display, press and hold the LAMP button for 5-10 seconds. A Fahrenheit or Celsius degree indicator will appear next to the temperature display window.

 **Temperature Controls** - Set the desired temperature by pressing the UP and DOWN buttons. Upon initial keypress, the LED display will show the current temperature setting. The temperature setting will increase by one degree each time you touch the UP symbol, and will decrease by one degree each time you touch the DOWN symbol. The range of the temperature control is 34-43°F (1-6°C).

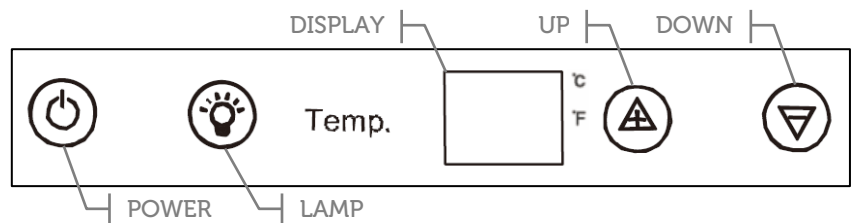
Shortly after the desired temperature has been set, the LED display will revert to showing the current internal cabinet temperature.

NOTE: If the unit is unplugged, or power is lost or turned off, you must wait 3 to 5 minutes before restarting the unit. If you attempt to restart before this time delay, the unit will not start.

When you use the unit for the first time or restart the unit after it has been shut off for a long time, there could be a few degrees variance between the temperature you select and the one indicated on the LED readout. This is normal and is due to the length of the activation time. There should not be a problem once the unit has been running for a few hours.

DOOR LOCK

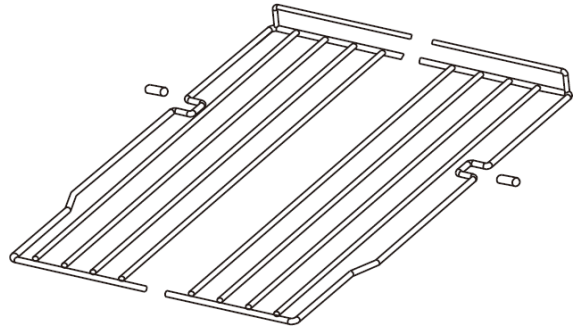
Your unit is provided with a lock and key combination. The keys are located inside the plastic bag that contains the OWNER'S MANUAL. Insert the key into the lock and turn it counterclockwise to unlock the door. To lock the door, do the reverse operation, making sure the metal pin is engaged completely. Remove the key and put it in a secure place for safekeeping.



SHELVES

To prevent damaging the door gasket, make sure to have the door all the way open when pulling the shelves out of the rail compartment.

For easy access to the stored content, you can pull the shelf approximately halfway out of the rail compartment. However, this unit was designed with a plastic post on each side of the shelf track to prevent shelf contents from falling.



When removing the shelf from the inner rails, move to the position where the notches in the shelf are exactly aligned with plastic posts and lift the shelf. In order to replace the shelf, repeat this procedure in reverse.

CARE AND MAINTENANCE

CLEANING YOUR APPLIANCE

- Turn off the power, unplug the appliance, and remove all items, including shelves.
- Wash the inside surfaces with a solution of warm water and baking soda (about 2 tablespoons of baking soda to a quart of water).
- Wash the shelves with a mild detergent solution.
- Wring excess water out of the sponge or cloth when cleaning the area where the controls are located, or any electrical parts.
- Wash the outside cabinet with warm water and mild liquid detergent. Rinse well and wipe dry with a clean soft cloth.
- Use an approved stainless steel cleaner to clean the door and handle. Do not use steel wool or a steel brush on the stainless steel.

WARNING

Failure to unplug the appliance during cleaning could result in electrical shock or other personal injury.

POWER FAILURE

Most power failures are corrected within a few hours and should not affect the temperature of your appliance if you minimize the number of times the door is opened. If the power is going to be off for a longer period of time, you need to take the proper steps to protect the contents.

VACATION TIME

Short vacations: Leave the appliance operating during vacations of less than three weeks.

Long vacations: If the appliance will not be used for several months, remove all items and turn off the appliance. Clean and dry the interior thoroughly. To prevent odor and mold growth, leave the door open slightly.

MOVING YOUR APPLIANCE

1. Remove all items.
2. Securely tape down all loose items (shelves) inside your appliance.
3. Turn the adjustable legs up to the base to avoid damage.
4. Tape the door shut.
5. Be sure the appliance stays secure in the upright position during transportation.
6. Protect the outside of the appliance with a blanket or similar items.

ENERGY SAVING TIPS

- The appliance should be located in the coolest area of the room or outdoor location, away from all heat sources and out of direct sunlight.
- Leave plenty of space for proper ventilation and never cover any air vents.
- Let hot foods cool to room temperature before placing in the unit. Overloading the unit forces the compressor to run longer.
- Be sure to wrap foods properly, and wipe containers dry before placing them in the unit. This cuts down on frost build-up inside the unit.
- Shelves and storage bins should not be lined with aluminum foil, wax paper, or paper toweling as this will interfere with cold air circulation, making the unit less efficient.
- Repeated or prolonged door openings will significantly reduce cooling efficiency. Keeping contents properly organized and labeled will allow for the quick removal of complimentary items at the same time reducing the number of door openings and need for lengthy searches.

WARRANTY & REGISTRATION

ONLINE REGISTRATION

Warranty registration must be completed online within 30 days of purchase to properly activate your warranty. Please visit the following link for more information: <http://solegourmet.com/register>

1-YEAR LIMITED WARRANTY

The manufacturer warrants to the original purchaser within the 48 contiguous United States at the original site of delivery that when subject to normal residential use it is free from defects in workmanship and material for a period of one year from the date of original purchase. Purchaser must provide a proof of purchase from an authorized dealer. Warranty does not cover labor or installation related labor charges. Shipping and handling charges will apply for the delivery of all approved warranty part(s). Service must be provided by the Manufacturer's designated service company. The warranty period is not extended by such repair or replacement.

This warranty excludes refrigerators used in a HOA, rental, or commercial applications. Damage resulting from any of the following: negligent use or misuse of the product, use contrary to operating instructions, accident, alteration, abuse, fire, flood, acts of God, improper installation, or use of the product will not be approved by warrantor. Manufacturer will not pay for any type of service call.

2-YEAR COMPRESSOR WARRANTY

The compressor is covered for 2 years. Replacement does not include labor. There will be shipping and handling charges for the delivery of the warranty part(s). Service must be provided by the Manufacturer's designated service company. The warranty period is not extended by such repair or replacement.

TROUBLESHOOTING

You can solve many common problems easily, saving you the cost of a possible service call. Try the suggestions below to see if you can solve the problems before calling a service technician.

PROBLEM	POSSIBLE CAUSE
The unit does not operate.	Not plugged in. The appliance is turned off. Tripped circuit breaker or blown fuse.
The unit is not cold enough.	Check the temperature control setting. External environment may require a higher setting. The door is opened too often. The door is not closed completely. The door gasket does not seal properly.
Turns on and off frequently.	The ambient temperature is warmer than normal. A large amount of contents has been added to the unit. The door is opened too often. The door is not closed completely. The temperature control is not set correctly. The door gasket does not seal properly.
The light does not work.	Not plugged in. Tripped circuit breaker or blown fuse. The light switch is "OFF"
Vibrations	Check to assure that the appliance is level.
Excessive noise	A rattling noise may come from the flow of the refrigerant, which is normal. As each cycle ends, you may hear gurgling sounds caused by the flow of refrigerant in your unit. Contraction and expansion of the inside walls may cause popping and crackling noises. The appliance is not level.
Door will not close properly	The appliance is not level. The door was reversed and not properly re-installed. The gasket is dirty. The shelves are out of position.
Display shows "EL" or "EH"	The air temperature sensor has failed.

If you've checked the table above and find that you still need help with your appliance, call our Customer Service facility. We will do our best to answer your questions.